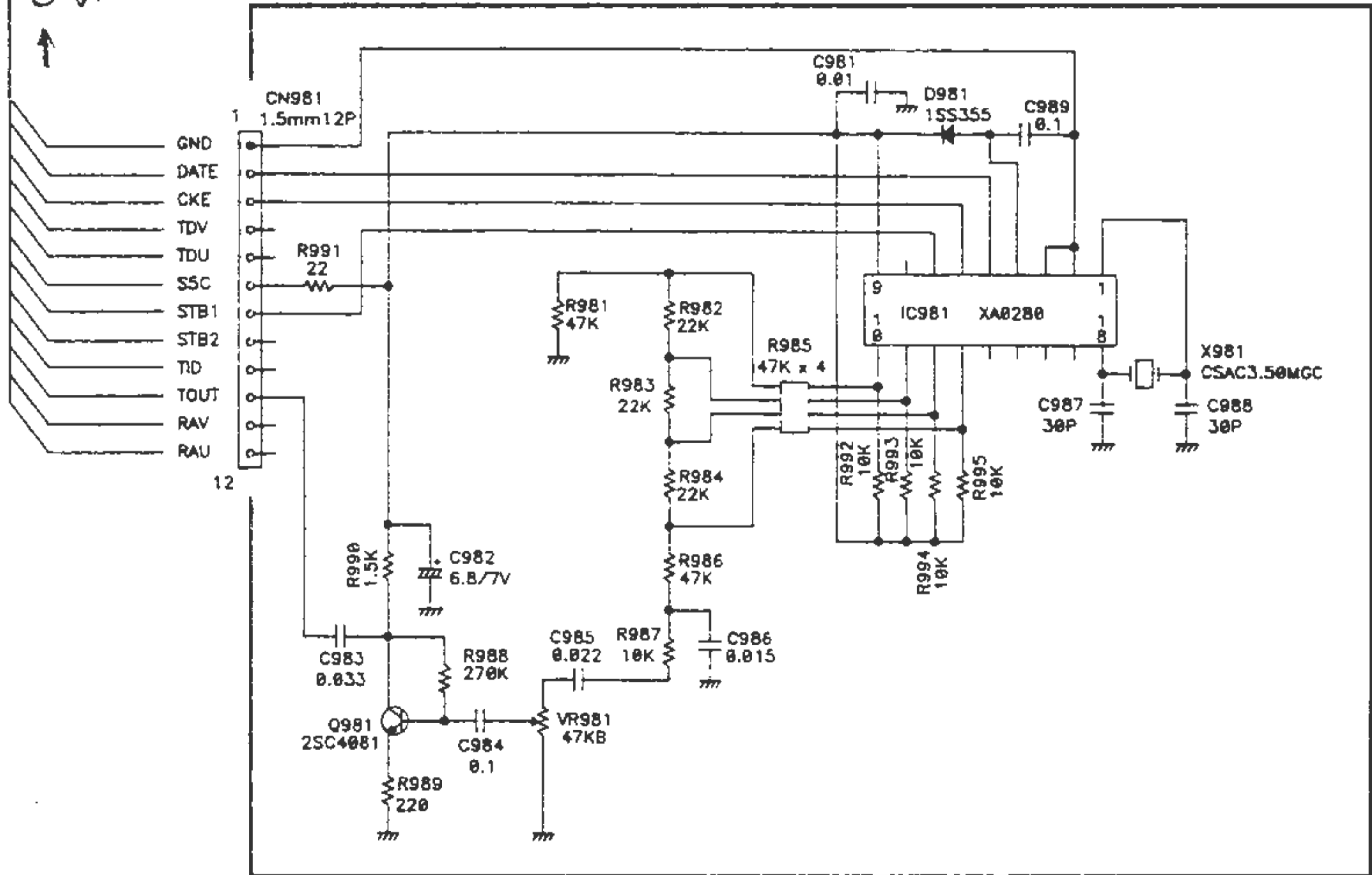
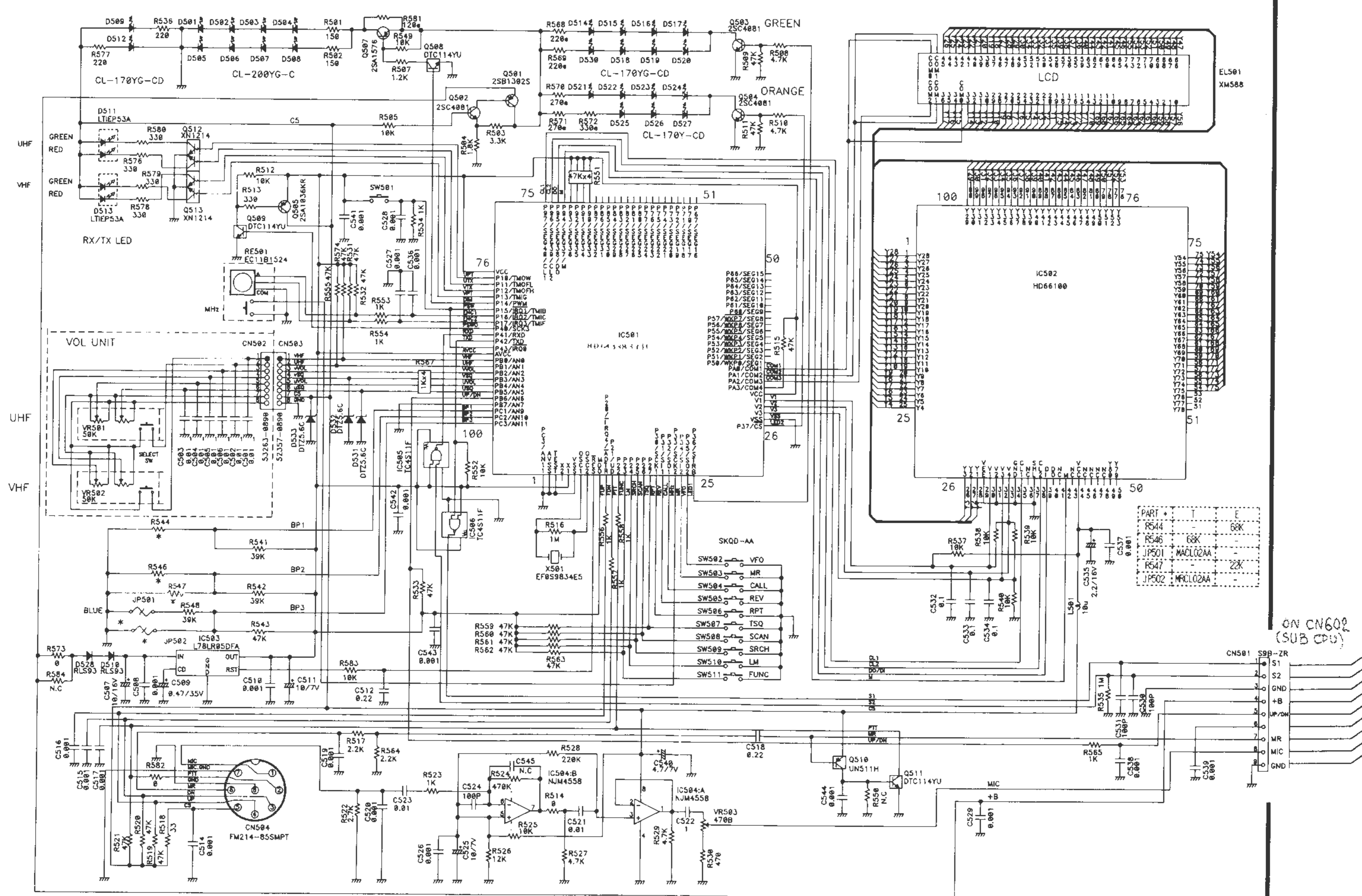


ON CN 601
SUB CPU UNIT

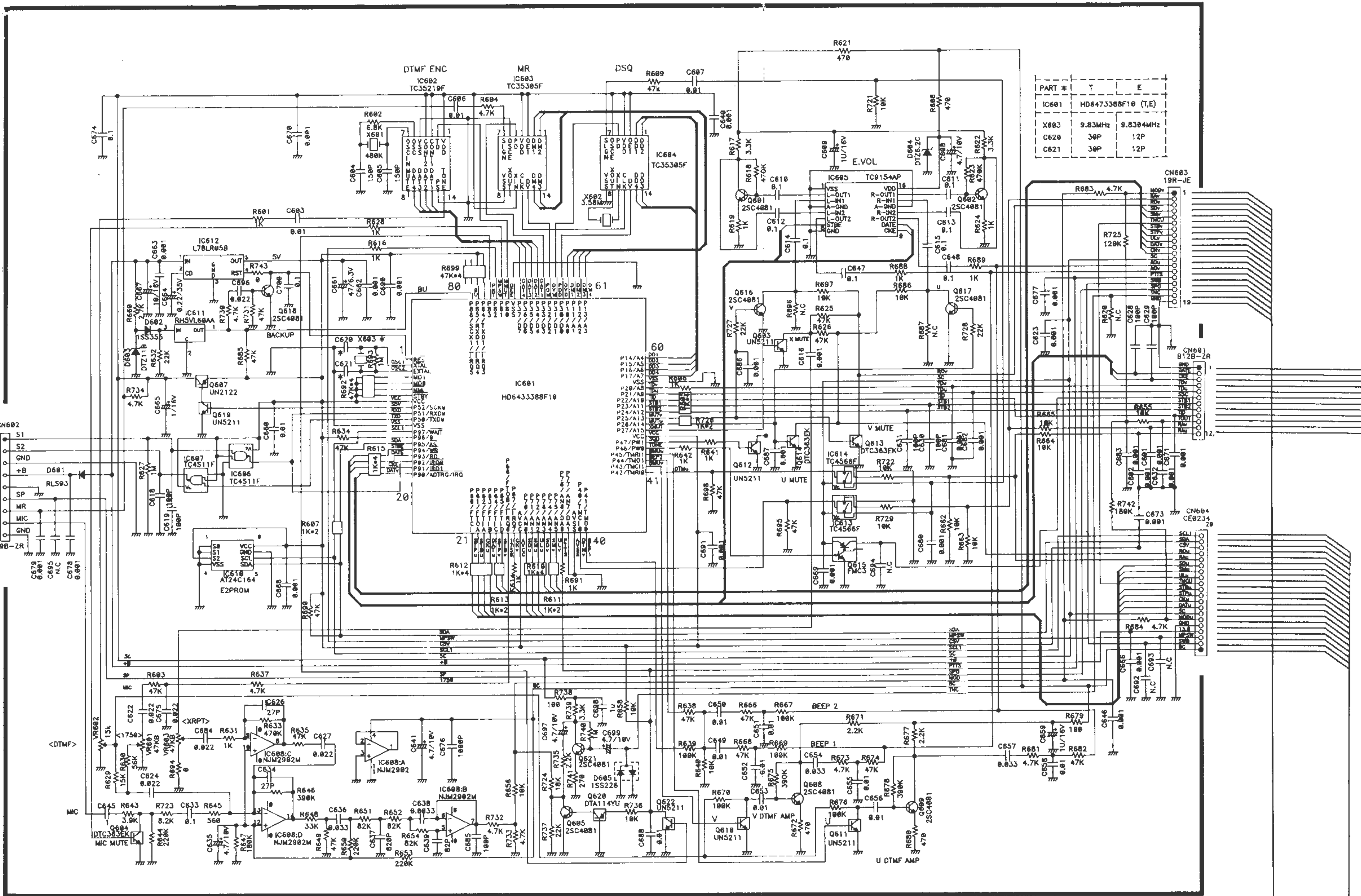
ENC UNIT



FRONT CPU UNIT



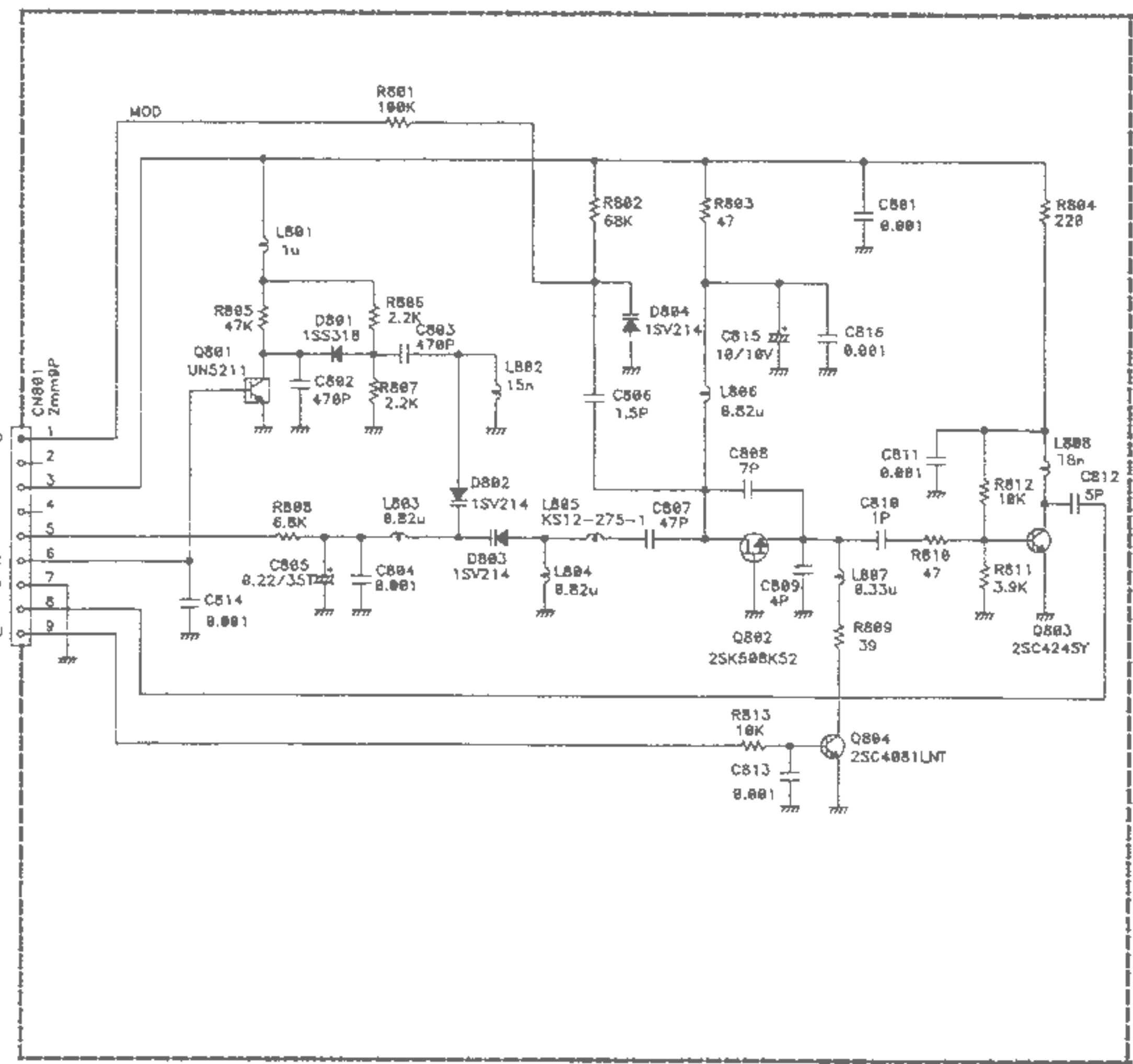
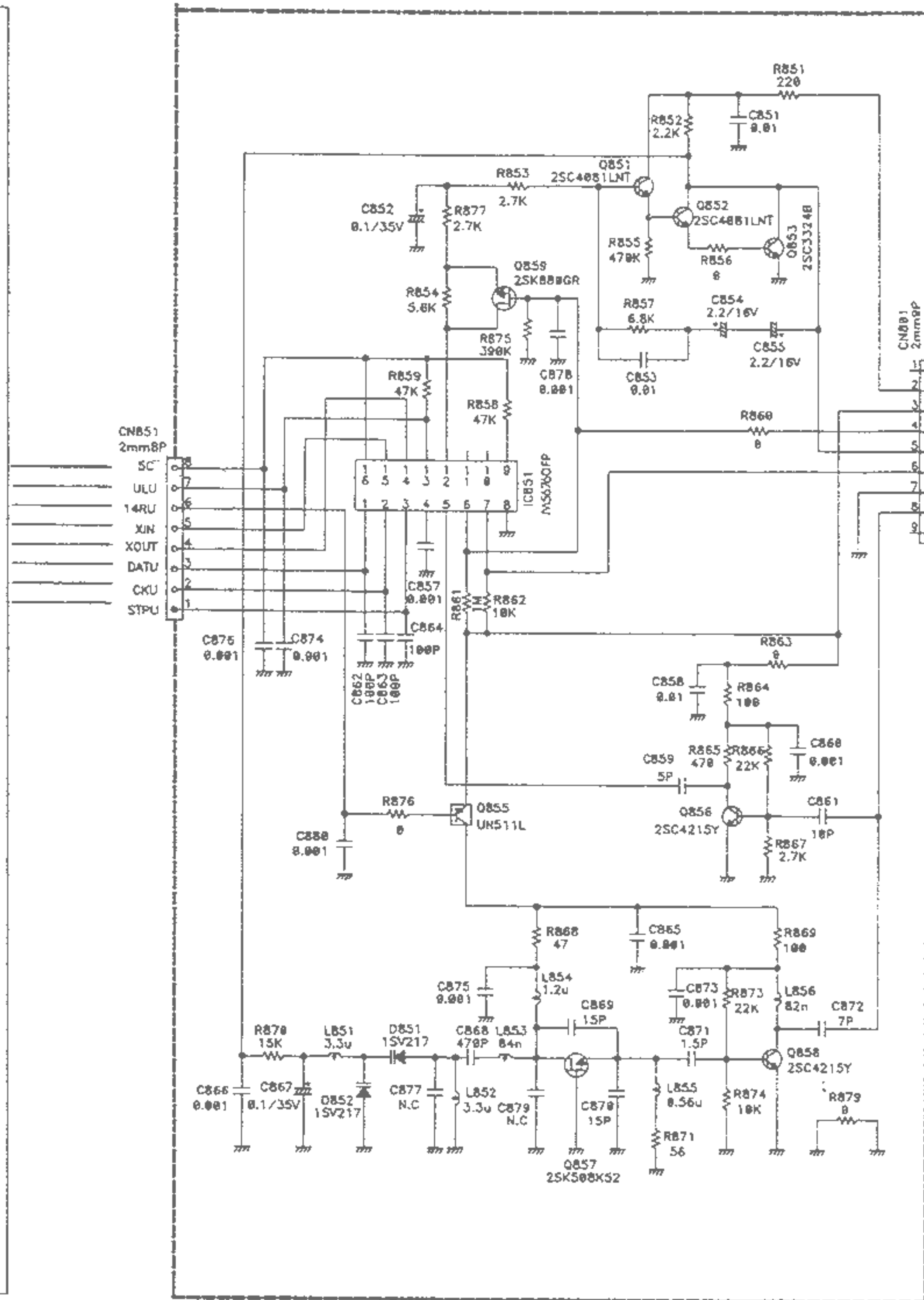
SUB CPU UNIT



UHF PLL UNIT

UHF VCO UNIT

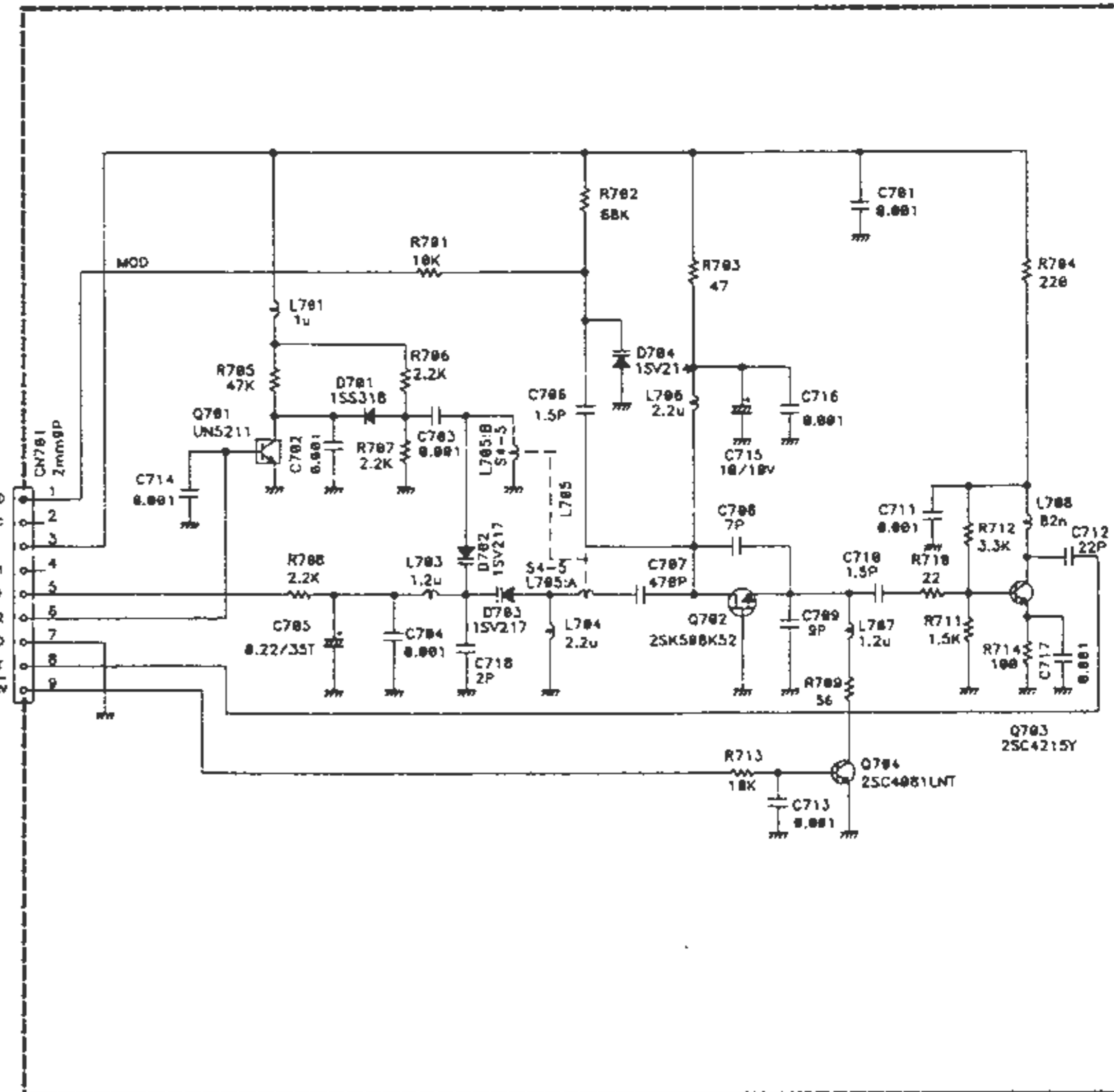
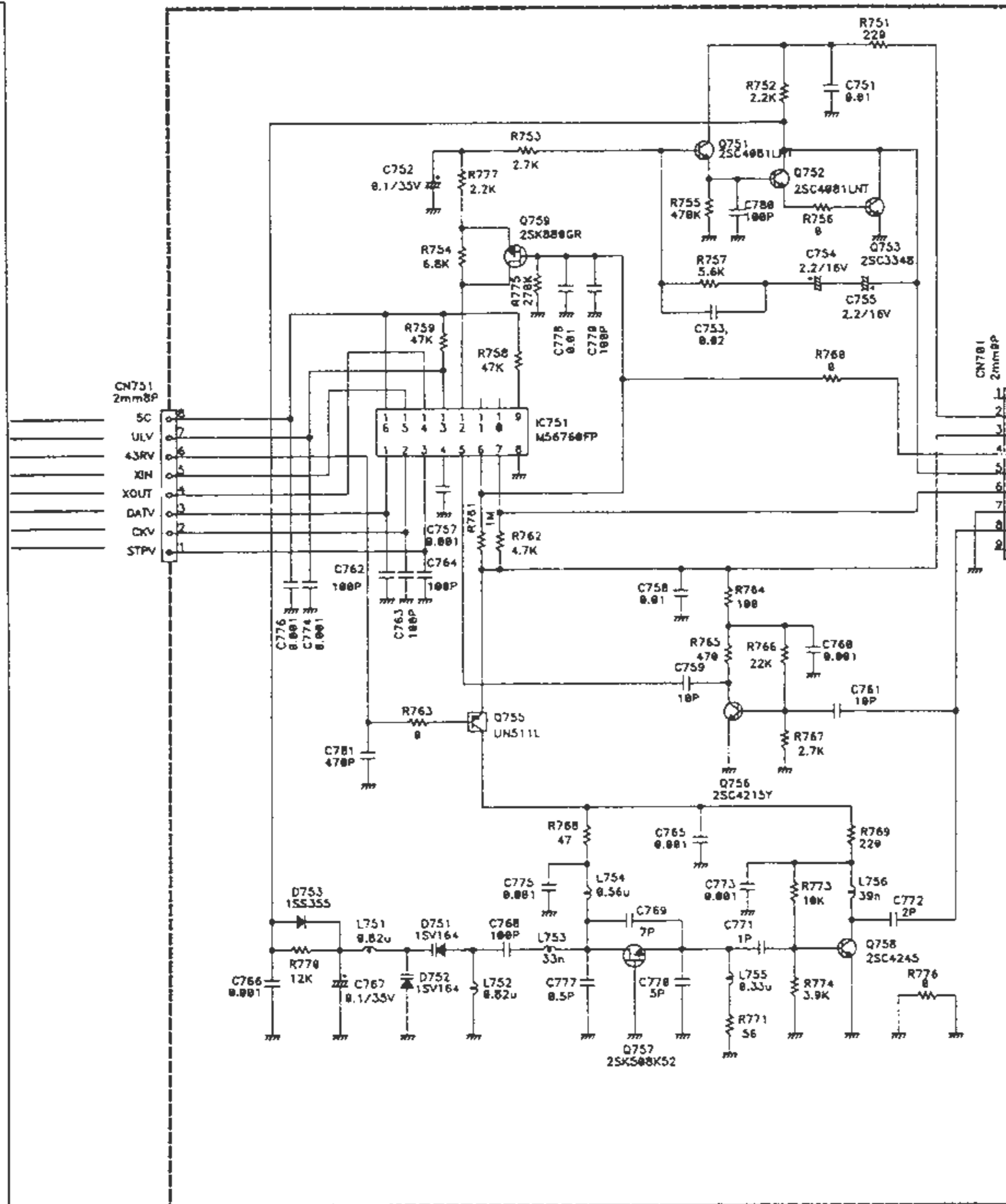
—ZC—M—TIC



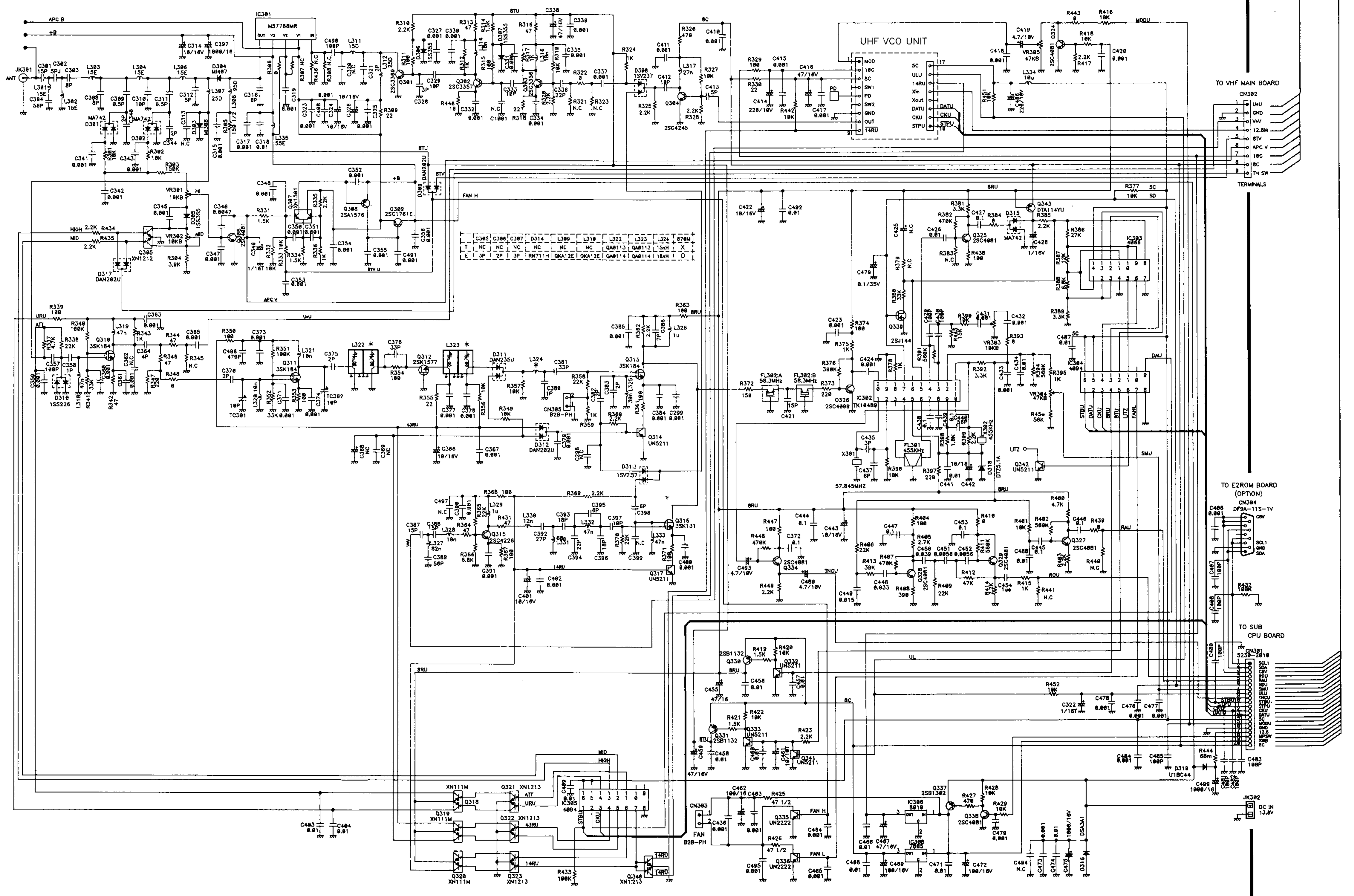
VHF PLL UNIT

VHF VCO UNIT

VHF PLL UNIT

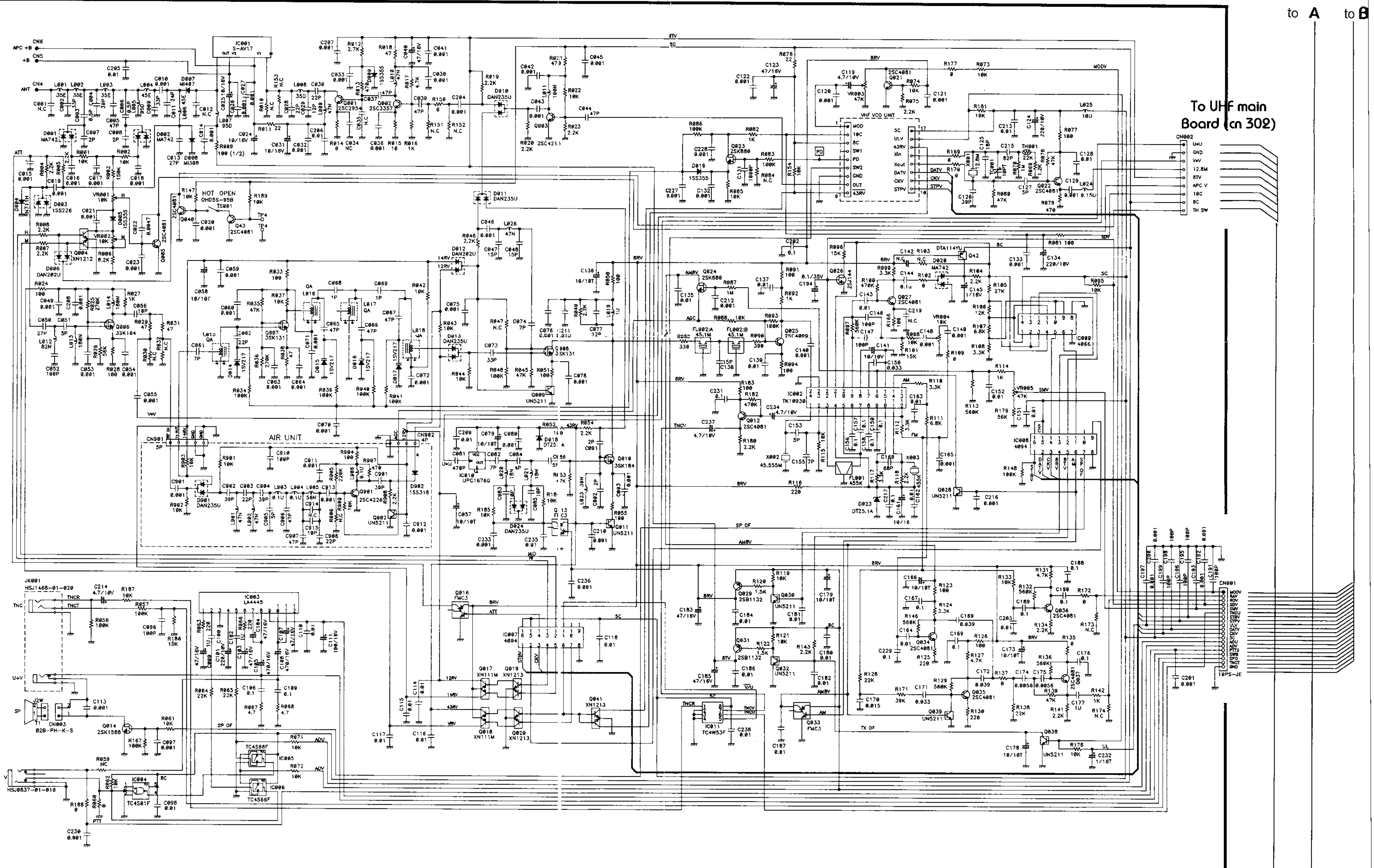


UHF MAIN UNIT



SCHEMATIC DIAGRAM DR-610T/E

VHF MAIN UNIT



to A to B

To UHF main Board (cn 302)

