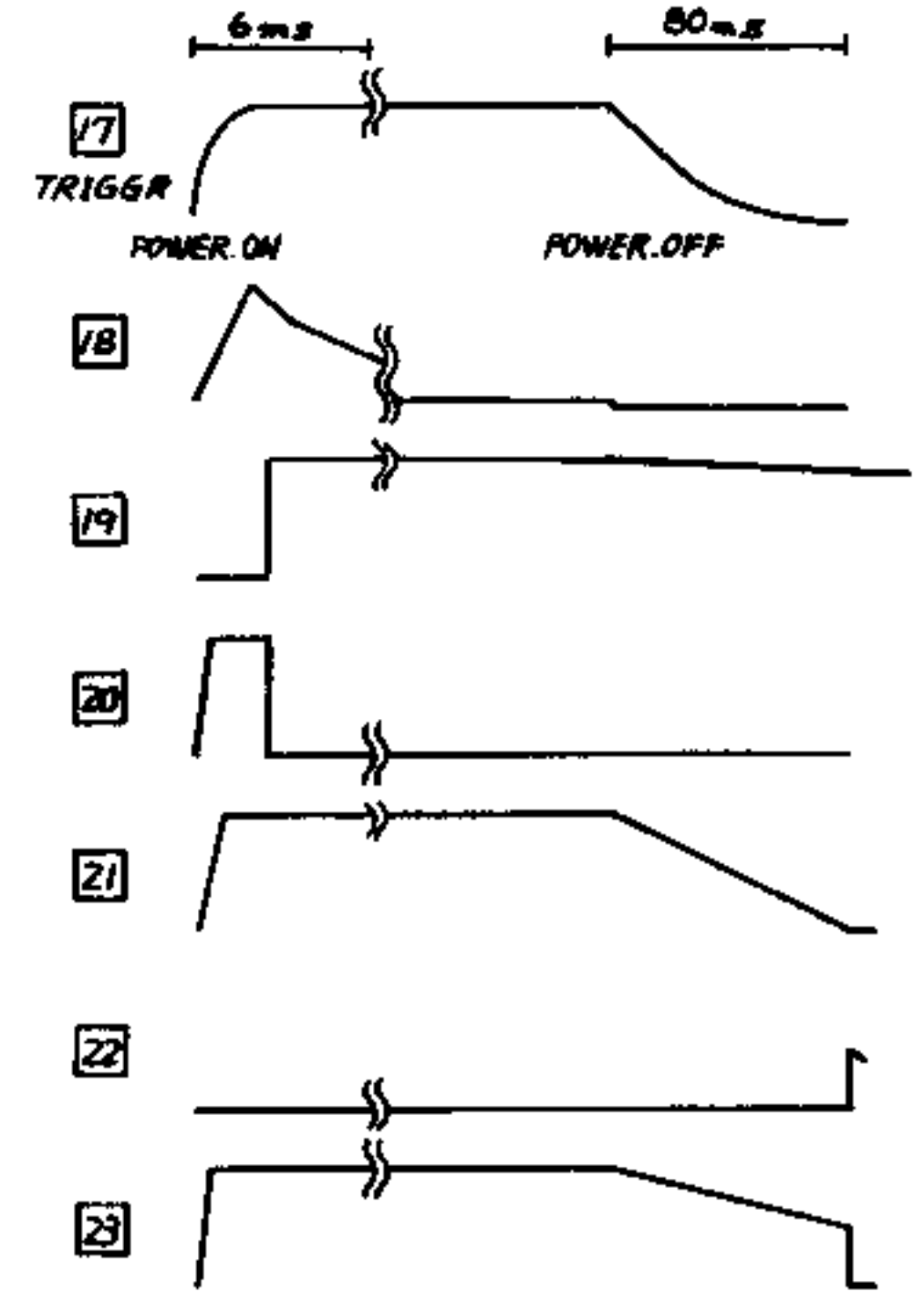
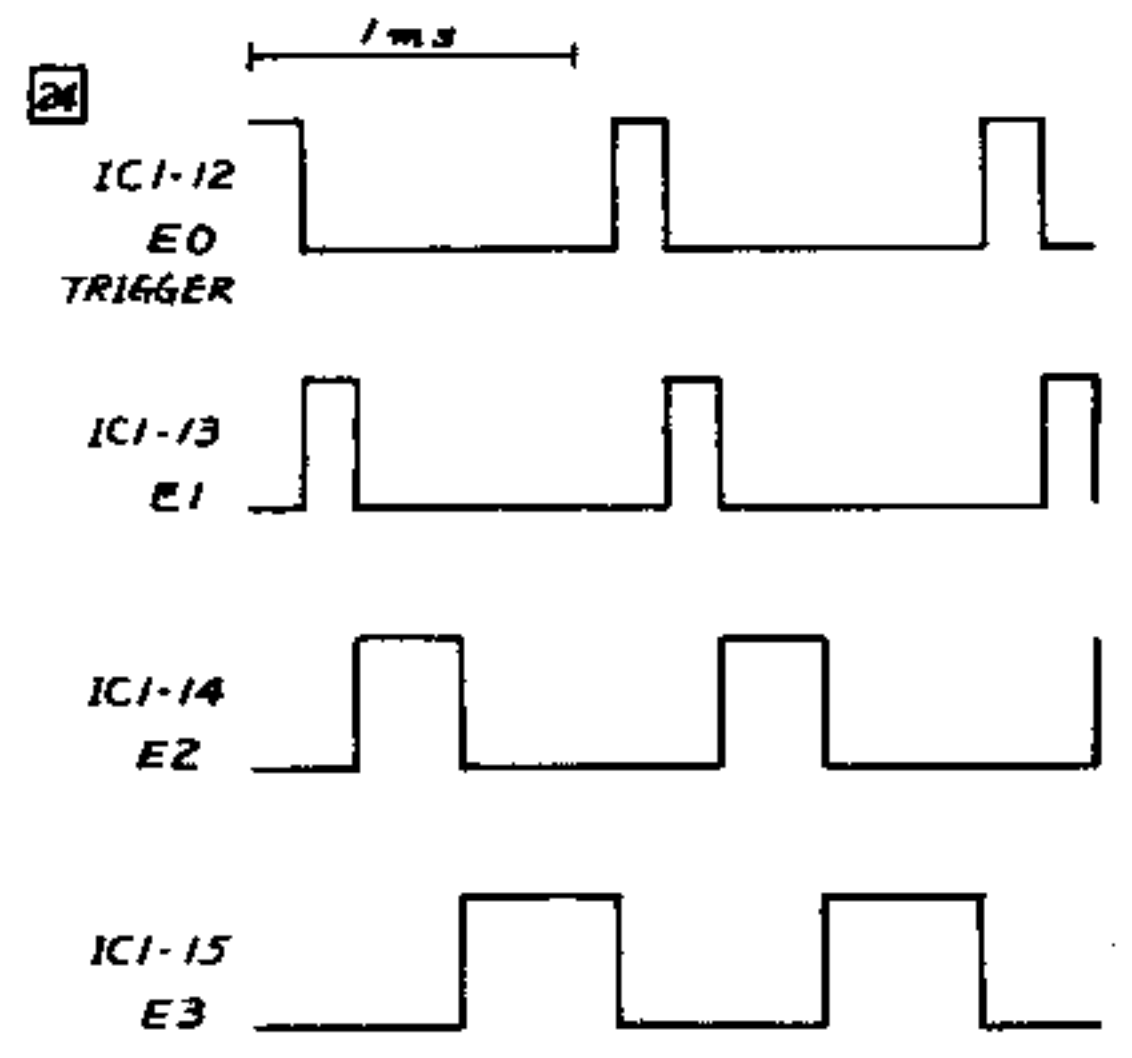
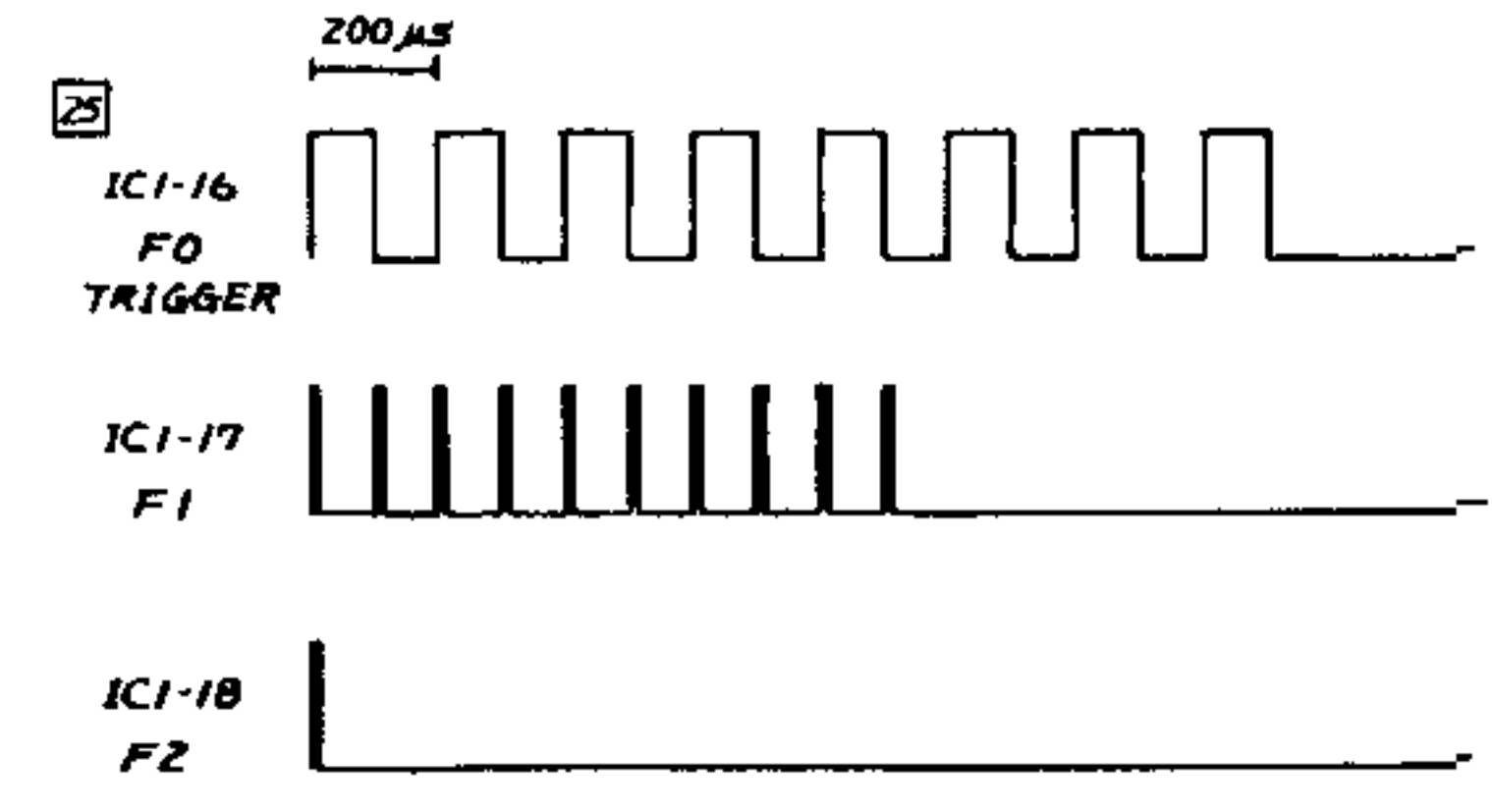
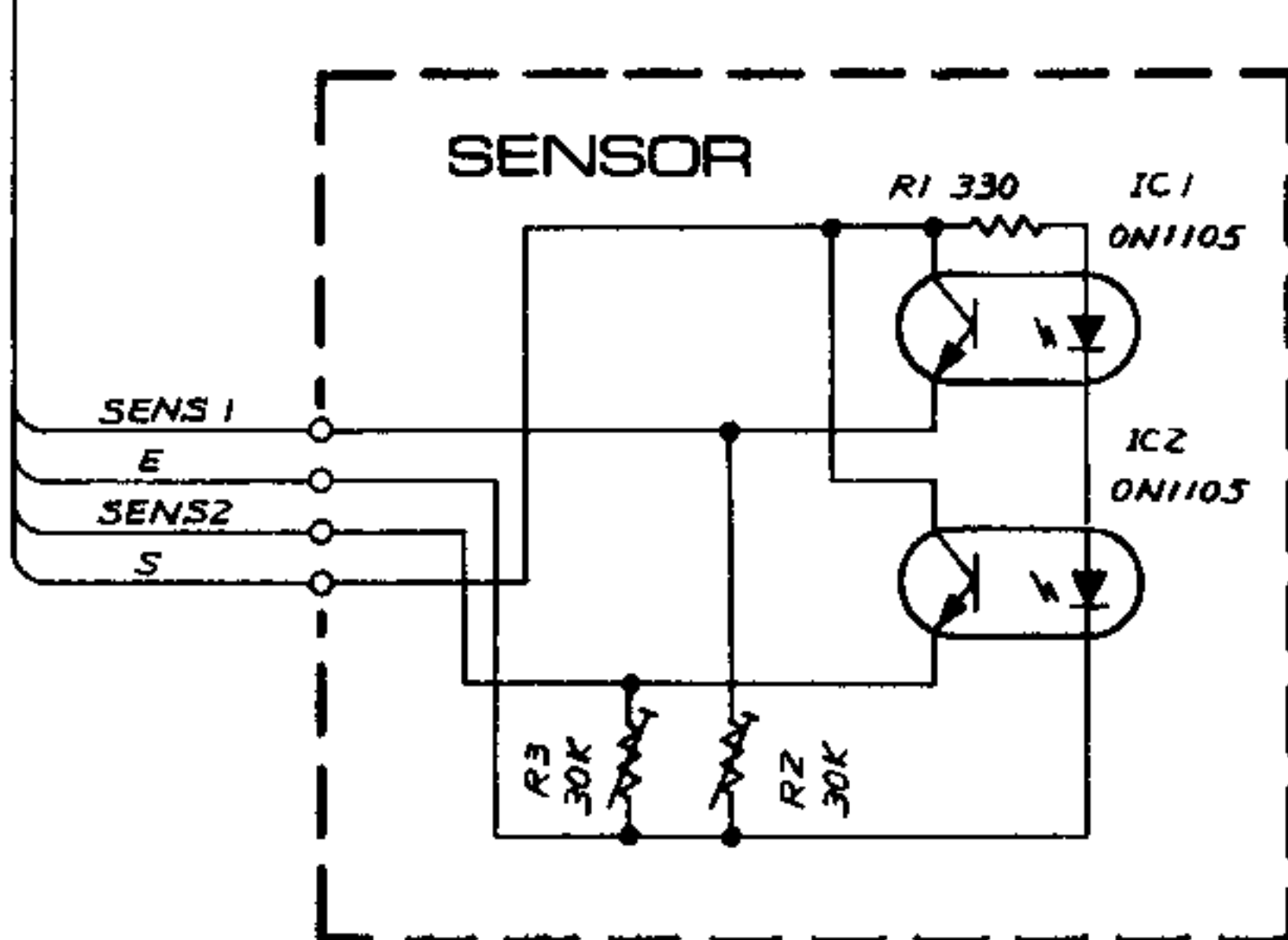
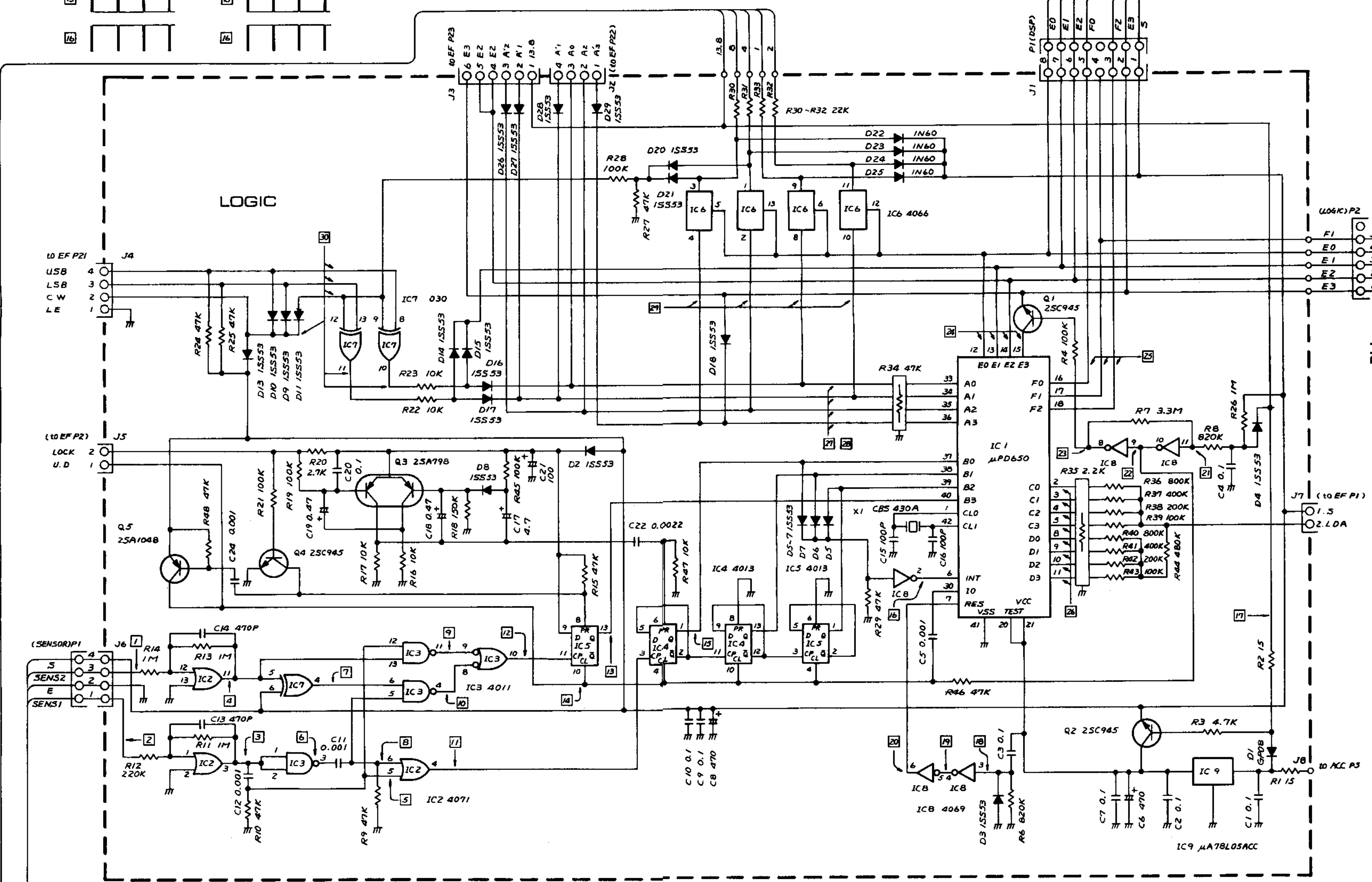
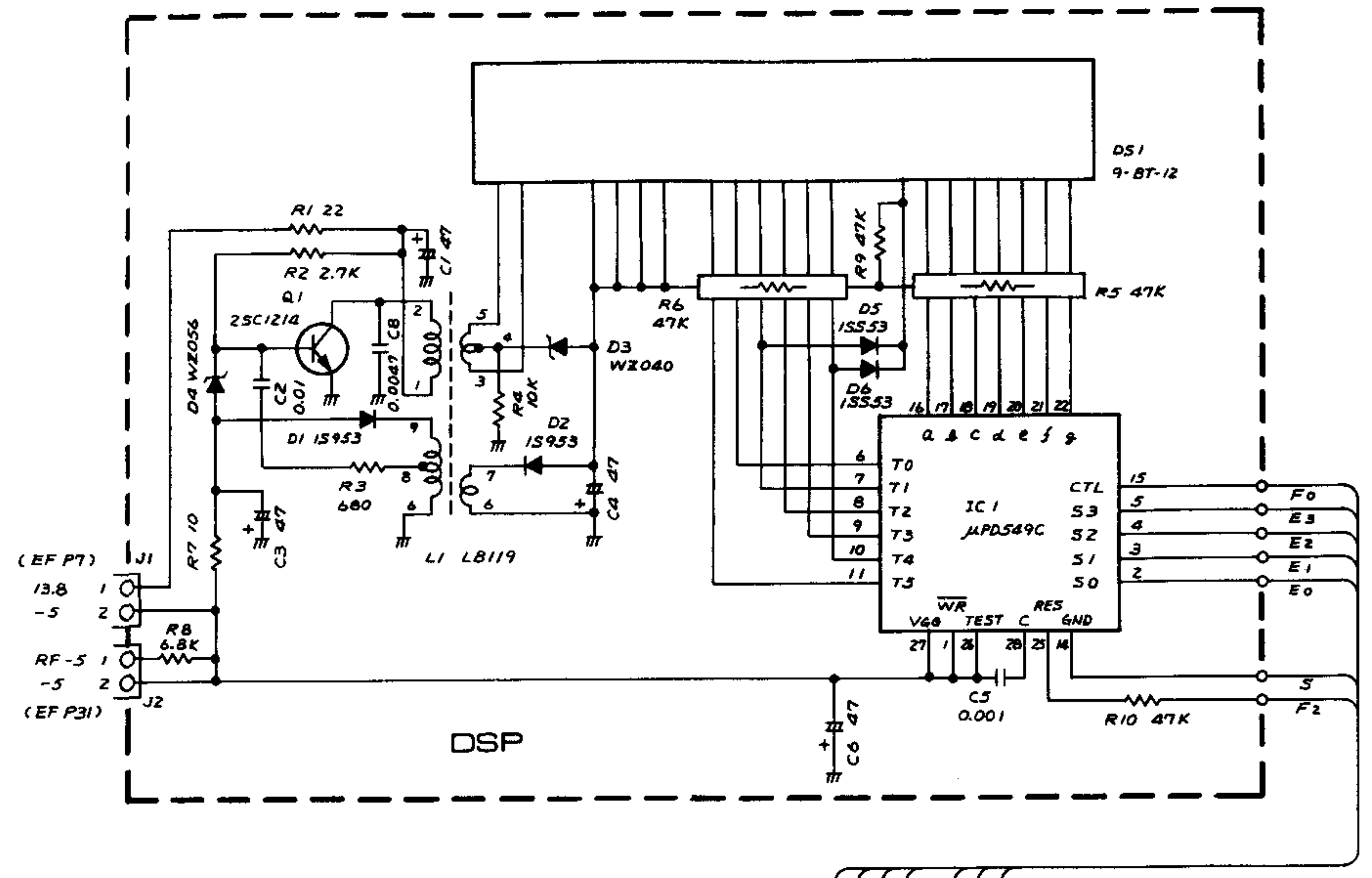
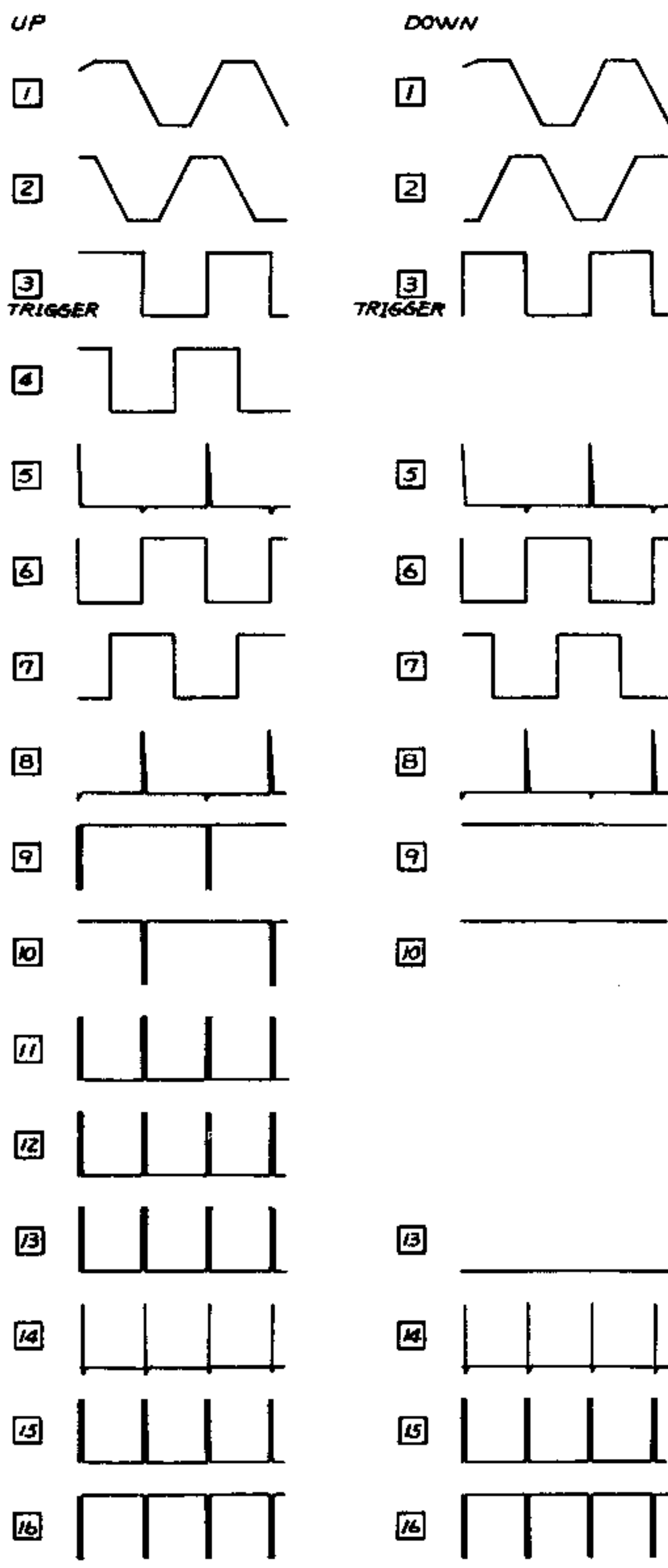


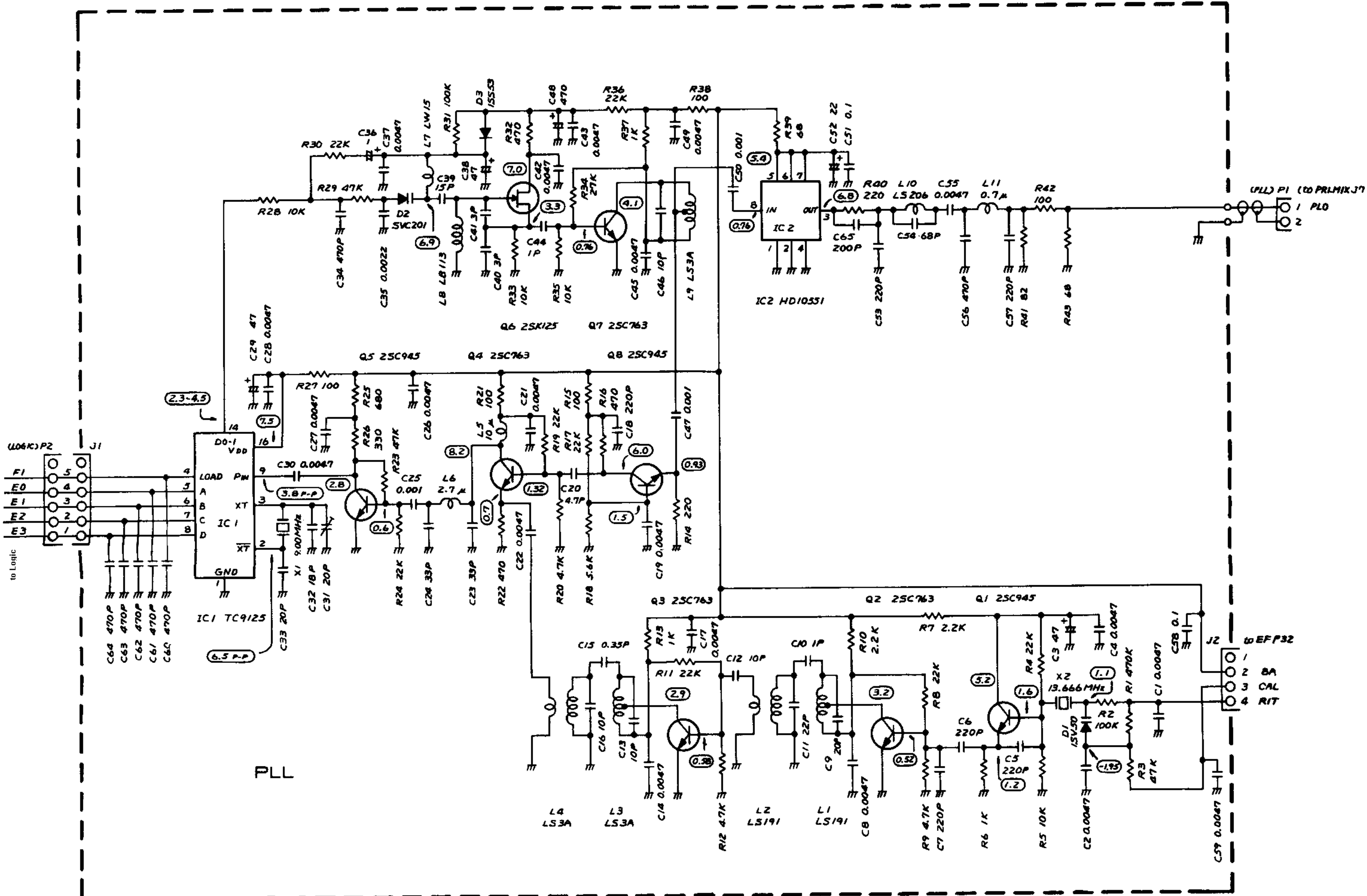
MODE	FREQUENCY
USB	9.0130MHz
LSB	9.0100MHz
CW	9.0108MHz
AM (T), CW (T)	9.0115MHz

BAND	FREQUENCY
3.5MHz	43.2315MHz
7.0MHz	46.7315MHz
10.0MHz	49.7315MHz
14.0MHz	53.7315MHz
18.0MHz	57.7315MHz

BAND	FREQUENCY
21.0MHz	60.7315MHz
24.5MHz	64.2315MHz
28.0MHz	67.7315MHz
28.5MHz	68.2315MHz
29.0MHz	68.7315MHz
29.5MHz	69.2315MHz



to primix



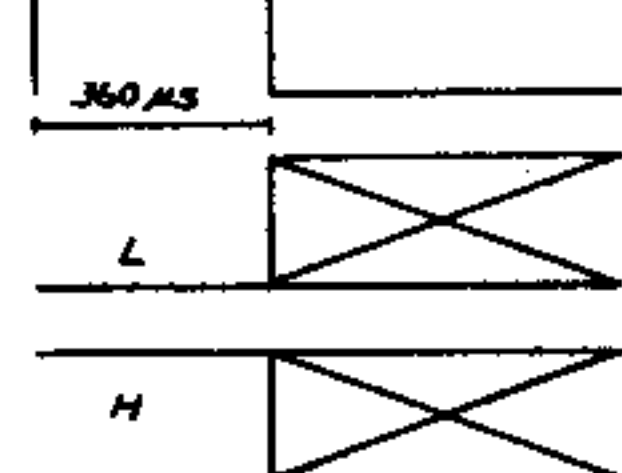
26 IC1 D/A DATA OUT

FREQUENCY	PN	2	3	4	5	8	9	10	11
	C0	C1	C2	C3	D0	D1	D2	D3	
0.00 KHz	L	L	L	L	L	L	L	L	L
0.01	L	L	L	L	L	H	L	L	L
0.02	L	L	L	L	L	H	H	L	L
0.03	L	L	L	L	L	H	H	L	L
0.04	L	L	L	L	L	H	H	L	L
0.05	L	L	L	L	L	H	H	L	L
0.06	L	L	L	L	L	H	H	L	L
0.07	L	L	L	L	L	H	H	L	L
0.08	L	L	L	L	L	H	H	L	L
0.09	L	L	L	L	L	H	H	L	L
0.10	H	L	L	L	L	L	L	L	L
0.11	H	L	L	L	L	L	L	L	L
0.12	H	L	L	L	L	L	L	L	L
0.13	H	L	L	L	L	L	L	L	L
0.95	H	L	L	L	H	L	L	L	L
0.96	H	L	L	L	H	H	H	L	L
0.97	H	L	L	L	H	H	H	L	L
0.98	H	L	L	L	H	H	L	L	L
0.99	H	L	L	L	H	L	L	L	L
1.00	L	L	L	L	L	L	L	L	L
0.0 KHz	L	L	L	L	L	L	L	L	L
0.1	H	L	L	L	L	L	L	L	L
0.2	L	H	L	L	L	L	L	L	L
0.3	H	H	L	L	L	L	L	L	L
0.4	L	L	H	L	L	L	L	L	L
0.5	H	L	H	L	L	L	L	L	L
0.6	L	H	H	L	L	L	L	L	L
0.7	H	H	H	L	L	L	L	L	L
0.8	L	L	L	L	L	L	L	L	L
0.9	H	L	L	L	L	L	L	L	L
1.0	L	L	L	L	L	L	L	L	L

27 VFO MEMORY

	IC1 PIN	33	34	35	36
		A0	A1	A2	A3
VFO	A	L	L	L	L
VFO	B	H	L	L	L
MEMORY	OFF	L	L	L	L
MEMORY	ON	H	L	L	L
NDR		L	L	L	L
SPT		L	L	L	L
WRITE	OFF	L	L	L	L
WRITE	ON	H	L	L	L

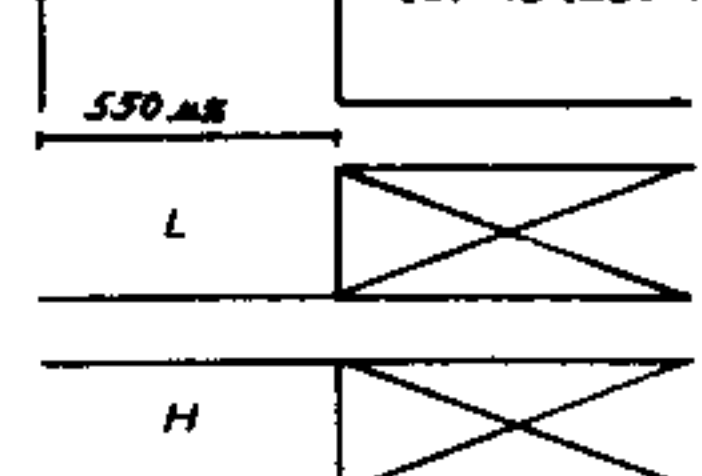
IC1-14 (E2) TRIGGER



28 VFO PITCH

	IC1 PIN	33	34	35	36
		A0	A1	A2	A3
VFO	10Hz	H	L	L	H
VFO	100	L	H	L	H
VFO	1K	L	L	L	H
POWER	OFF	L	L	L	L
POWER	ON	L	L	L	H

IC1-15 (E3) TRIGGER



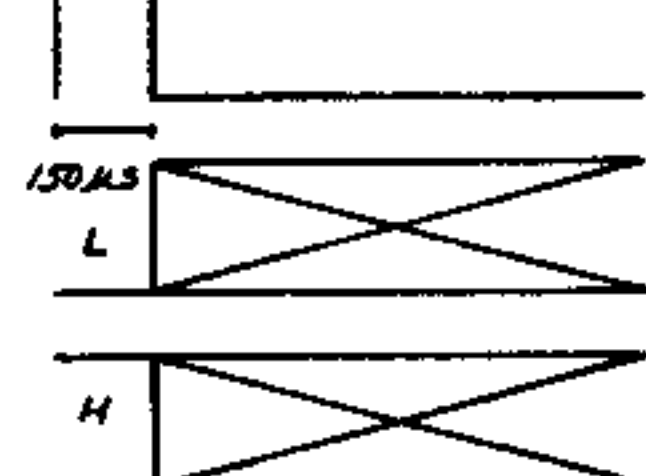
29 MODE SW

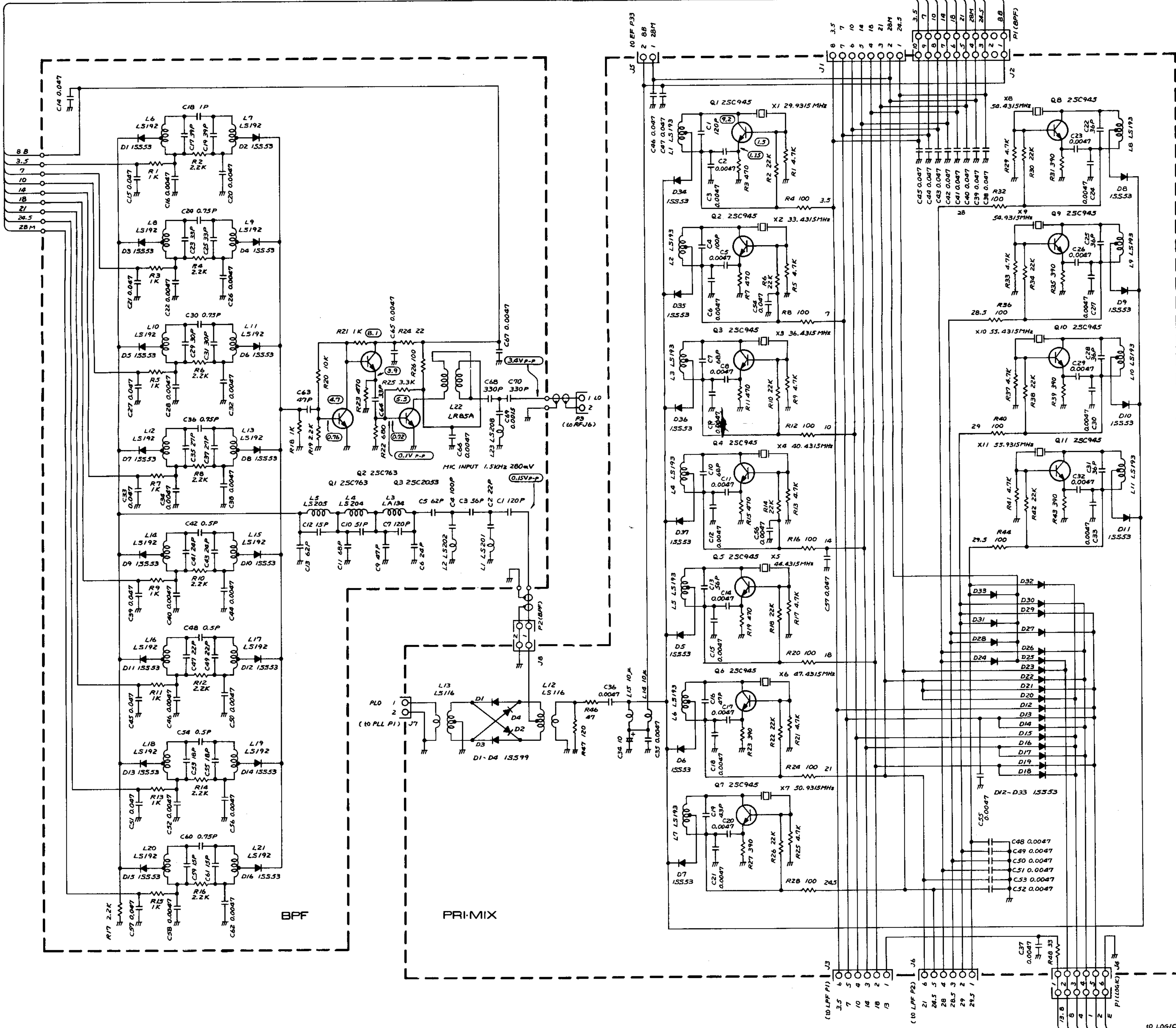
BAND	MODE	J4 -2	J4 -3	J4 -4	IC7 -8	IC7 -9	IC7 -13	IC7 -10	IC7 -11
3.5 MHz	CW	L	L	L	L	L	L	L	L
	LSB	H	L	H	H	L	L	H	L
10 MHz	CW	L	L	L	L	L	L	L	L
	LSB	H	L	H	H	L	L	H	L
~28MHz	CW	L	L	L	L	L	L	L	L
	LSB	H	L	H	H	L	L	H	L

30 BAND SW

BAND	IC6 9-8	IC6 11-10	IC6 1-2	IC6 3-4
3.5 MHz	L	H	L	L
7	H	H	L	L
10	L	L	H	L
14	H	L	H	L
18	L	H	H	L
21	H	H	H	L
24.5	L	L	L	H
28	H	L	L	H
28.5	L	H	L	H
29	H	L	H	H
29.5	L	L	H	H
NC	L	L	L	L

IC1-12 (E0) TRIGGER





IC-730(S) SCHEMATIC DIAGRAM

- 1 MIC(+8V)
- 2 +8V
- 3 UID
- 4 MIC
- 5 PTT
- 6 GND
- 7 NF-GND
- 8

RF-POWER

MIC-GAIN

RIT

RF-GAIN

IF-SHIFT

AF-GAIN

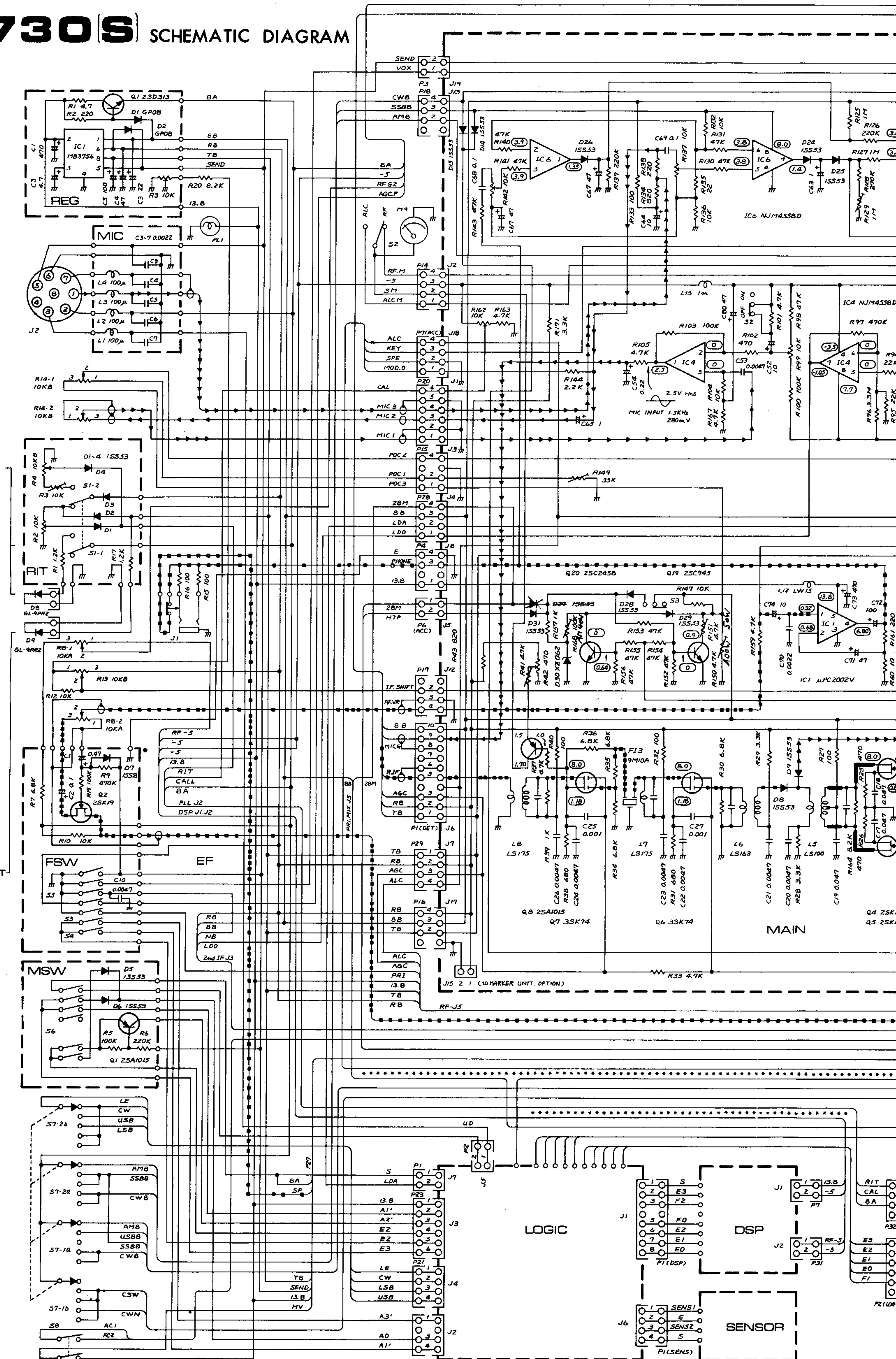
- TRANSMIT
- VOX
- NB
- AGC-F
- PRE-AMP
- WRITE
- MEMO

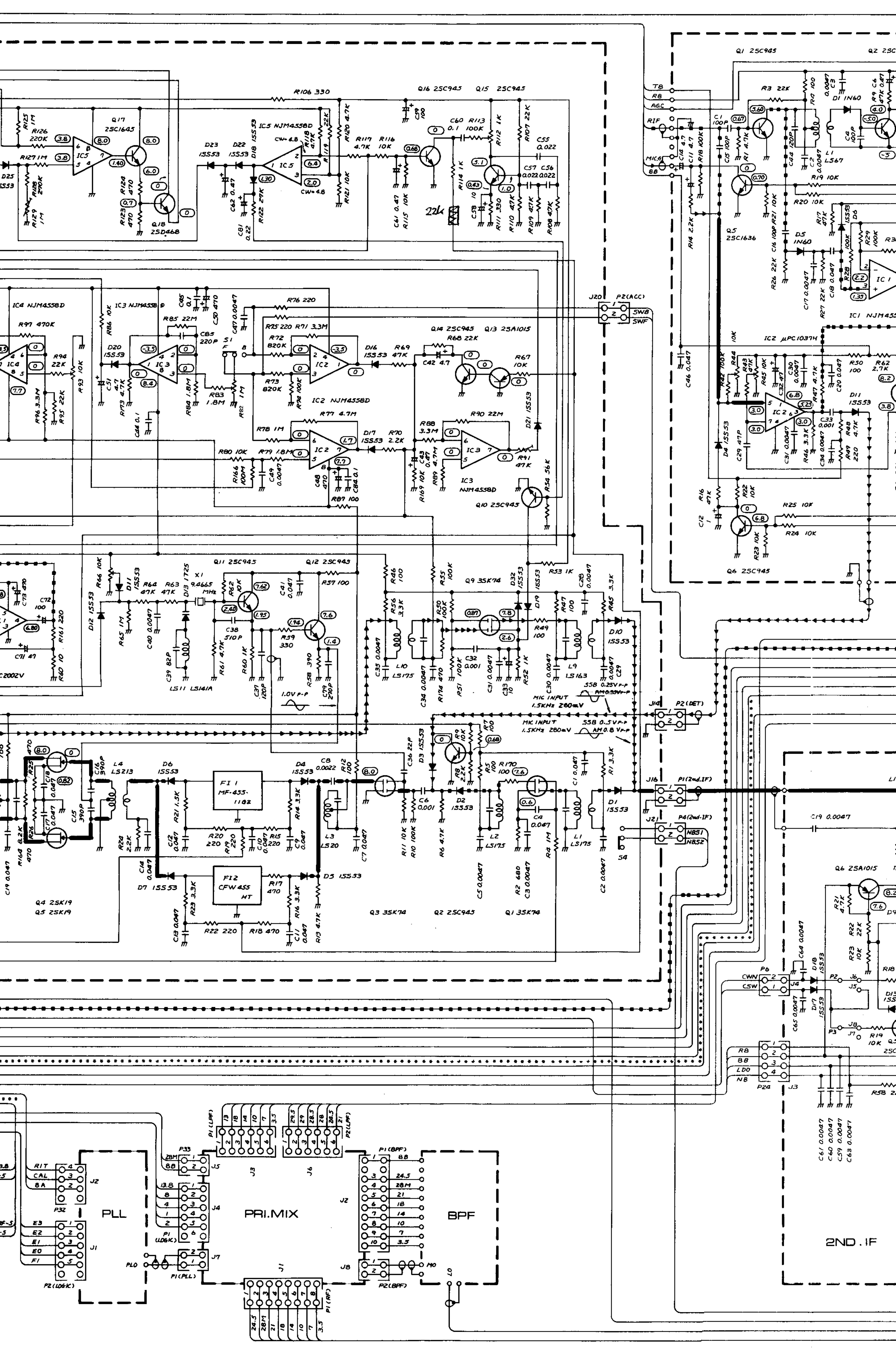
- LOCK
- 10
- 100
- 1K

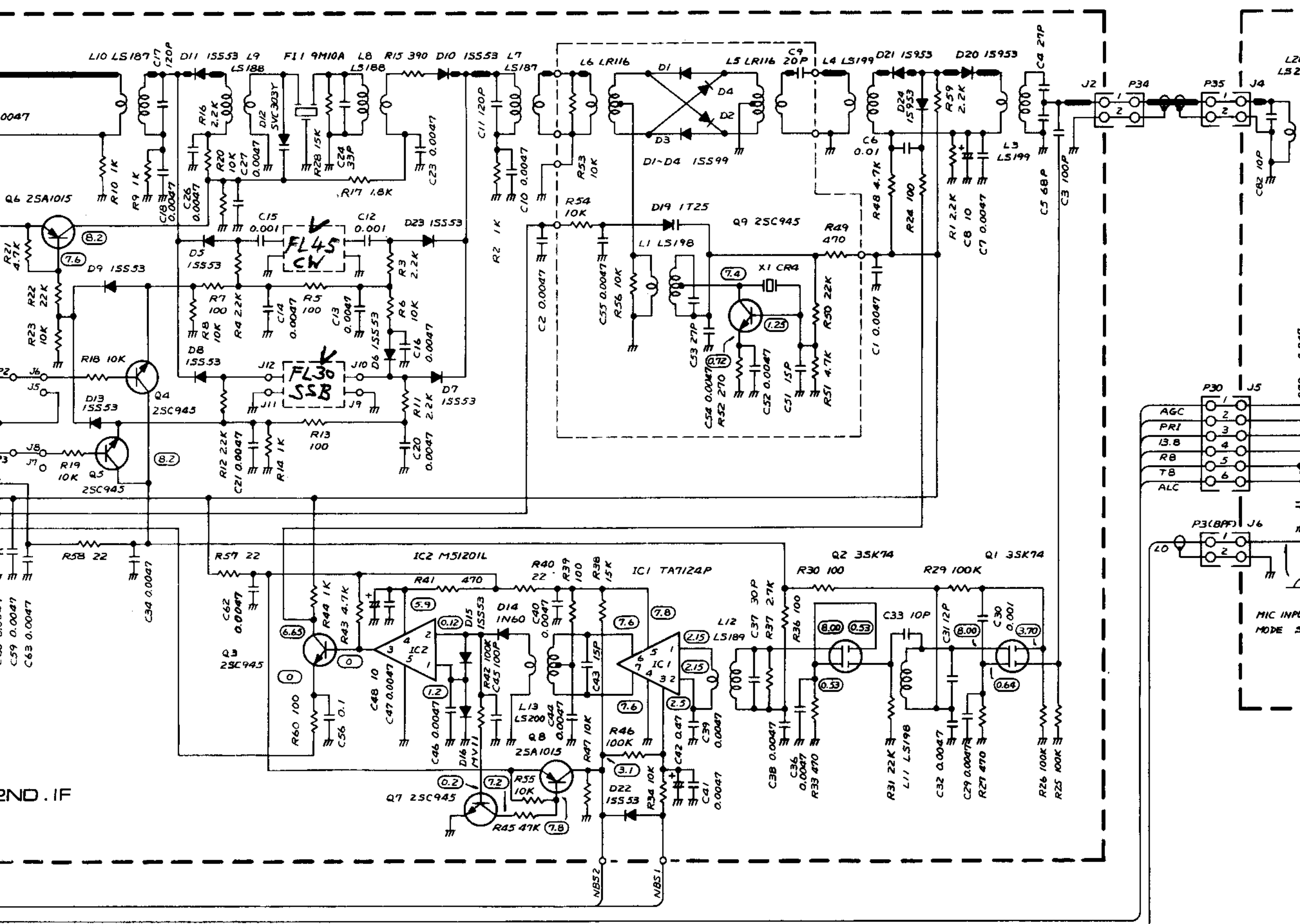
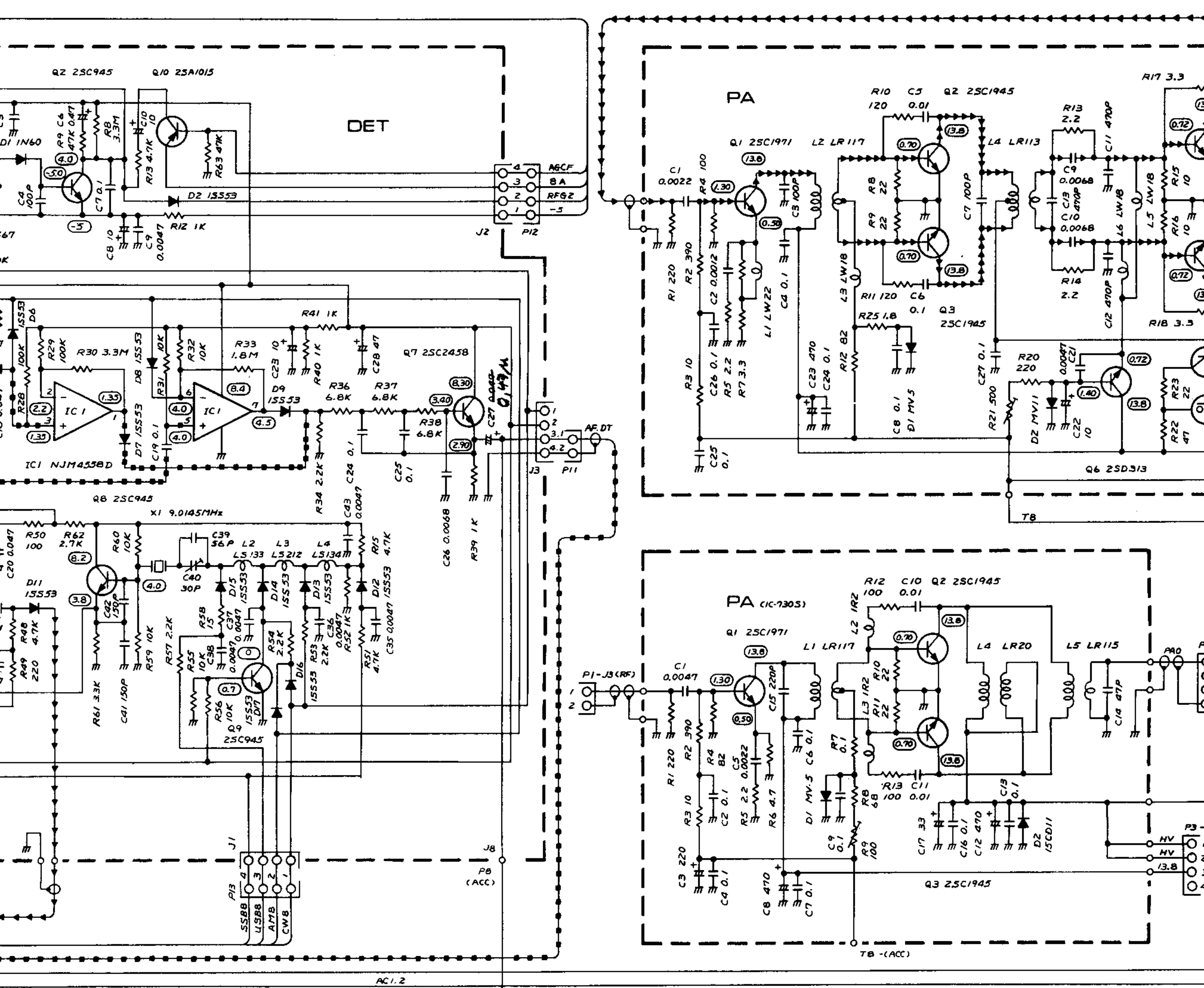
- NOR/SPT
- VFO-A/B

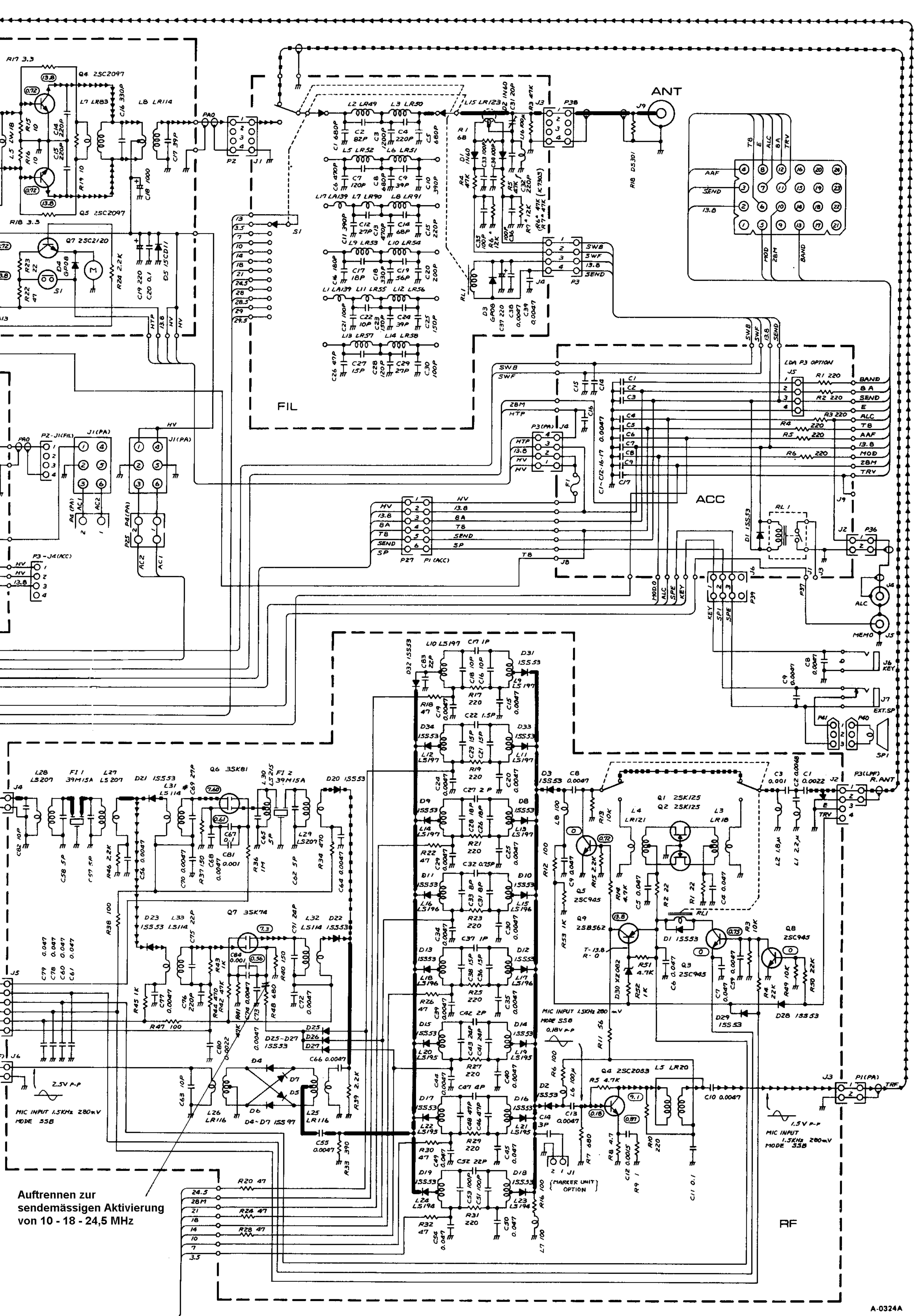
- MODE
- AM
- USB
- LSB
- CW-N
- CW

POWER









Auffrennen zur sendemässigen Aktivierung von 10 - 18 - 24,5 MHz