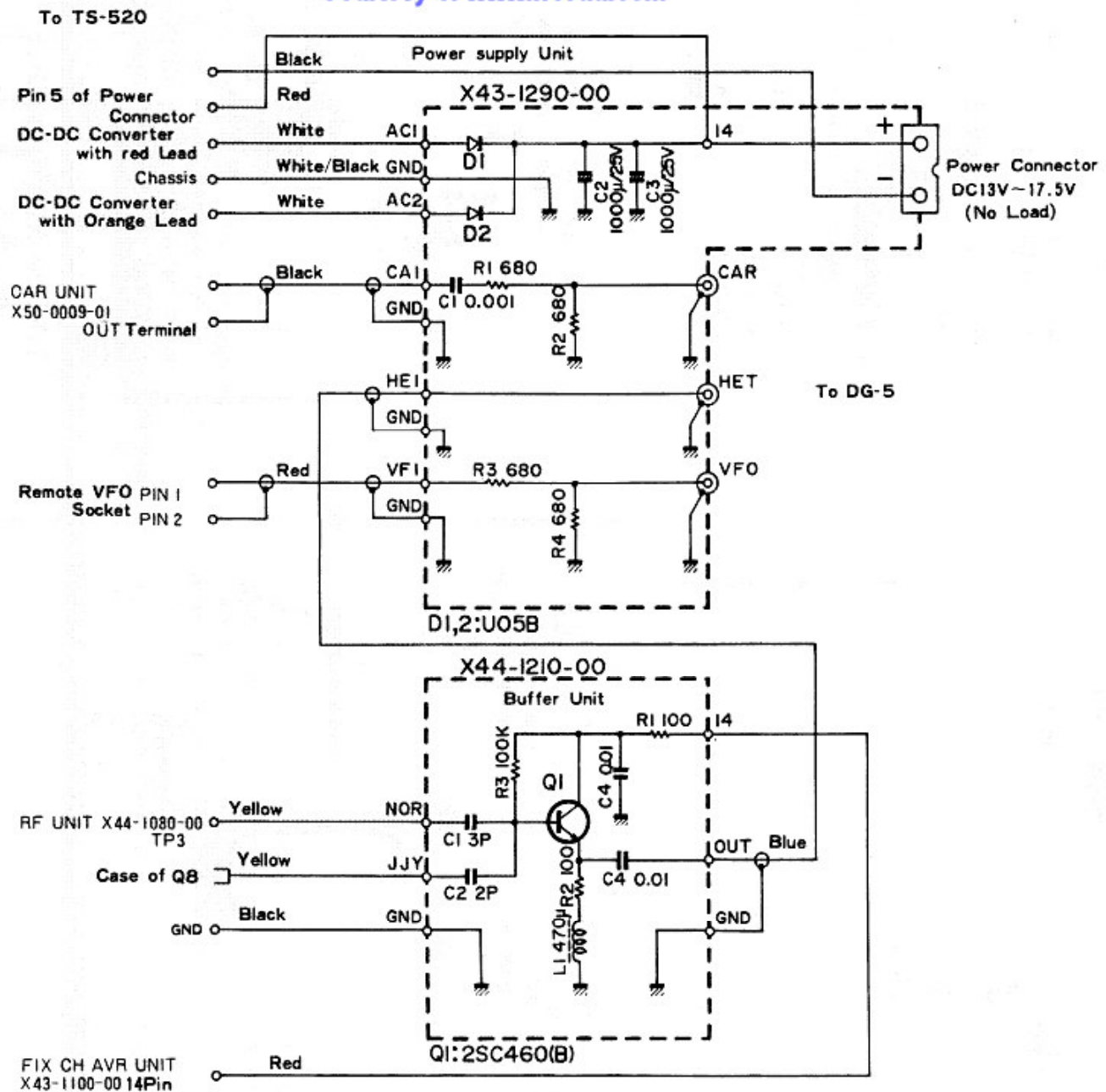


# SCHEMATIC DIAGRAM

Courtesy of [www.k4eaa.com](http://www.k4eaa.com)



DK-520

FIX CH AVR UNIT  
X43-1100-00 14Pin